

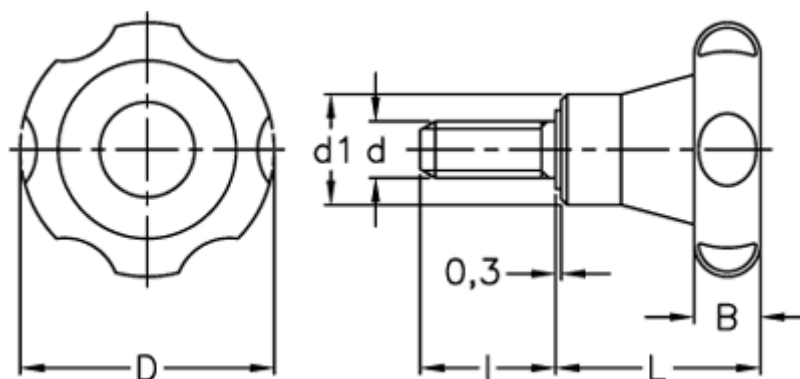
# Data Sheet



Article number: 2302075032  
Description: E+G Lobe knob  
VL.155/50 p-M8x40

## Measures

---



|      |      |
|------|------|
| B    | = 12 |
| D    | = 51 |
| d1   | = 23 |
| d 6g | = M8 |
| l    | = 40 |
| L    | = 34 |